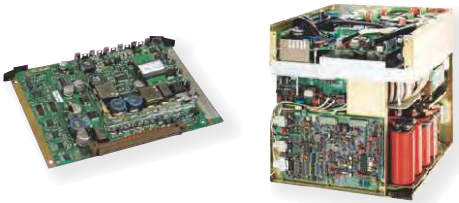


EPS Power Supplies Systems offer a unique variety of standard units as well as highly flexible, customized devices built to your specifications in small and large quantities. Made in Germany.

the commissioning of the power supplies and controllers, we ensure that the core processes are supplied with customized currents and the best possible system efficiency can be realized: Thus, the compact design of our DC power supplies and devices as well as the individually tailored accessories, to place the power supply as close as possible to the process. This leads to shorter lines and thus to considerable energy savings in the continuous process.

Automation

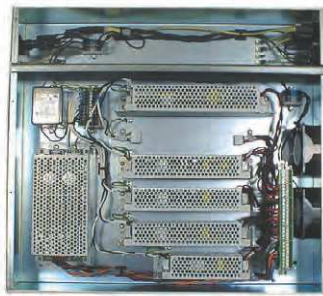
The best-fit Power Supply is critical in automation, also in view of a fast, efficient and reliable production plant. EPS delivers worldwide a full range of highly reliable, low-maintenance and efficient Power Supplies.



left: 13 different output voltages for camera systems
right: 40kW Power Supply for semiconductor systems

Non-destructive testing

Non-destructive testing using various physical methods and sensors, guarantee that materials, products, plants and systems are in a safe condition according to specifications. In addition to the development of radiological and acoustic methods numerous other NDT methods and sensors are researched, evaluated and applied. Special emphasis is placed on the combination of various techniques to improve the reliability of test results and prevent damage to our technical environment. We offer the right solution for your specific project, including housing production!



PS non-destructive testing, different output voltages

Railway

Custom-tailored solutions are essential for the power supply in the railway sector. EPS provides high voltage sources up to 1500 V and 120 kW specifically for testing applications.



High Voltage Power Supply 1500V/80kW



Hollow rope testing with 5000A



400kW aircraft engine test
dual 700A configuration fo



DC power 200kW for the air
dual 800 A configurat
to +55 ° C ambient tempe



Output characteristic

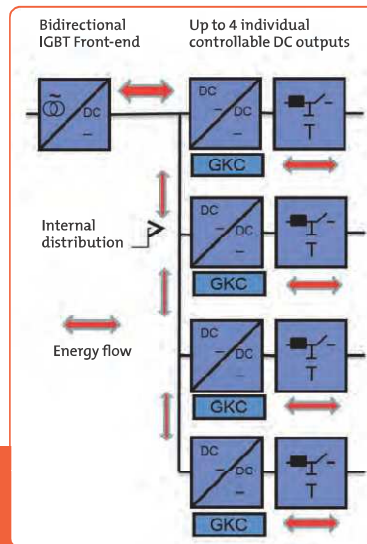
Electromobility

Hybrid and electric drives will get more and more important in the future for a sustainable environmentally friendly mobility. Development testing in this area, such as the simulation of the electrical system, requires systems with an extremely high performance.

EPS specializes in these applications and offers test solutions tailor-made to your requirements, up to 500 kW in a voltage range from 8 to 1000 V, which have been developed for testing electric and hybrid drive systems and related components such as inverters, batteries and fuel cells. They feed electric energy back into the grid with high efficiency. External loads are not needed and electrical energy, which would otherwise be lost can be fed back. This feedback capacity is a crucial factor in test applications, which operate with unusually high performance. Also, the systems have up to 1.5 times overload capacity. The systems have a modular design and can be switched in parallel.

Multi Channel system

In contrast to conventional DC sources our systems feature four independent output channels and can operate as a source and as a load.



Multi Channel system
For example: Testing and simulation of fuel cell stacks

can be controlled via a standard CAN/Analog interface, optionally with a RS232/USB, Profibus or Ethernet interface. The system is freely programmable and has specific algorithms which allow various tests such as fast charging of batteries or battery simulation to be performed. Further applications are in avionics (adjustable output frequency from 16.7 to 800 Hz), LISN, grid connected solar plants and peak load illustration.

With our optional function/arbitrary waveform generator »EPS/AWG“ you can also control your power supplies (2 channels) to generate and apply complex sequences.



Bi-directional Power Supply forklift 1000A/100kW, and an intuitive Touchscreen-Terminal (systems with TFT control panel)



Water cooling