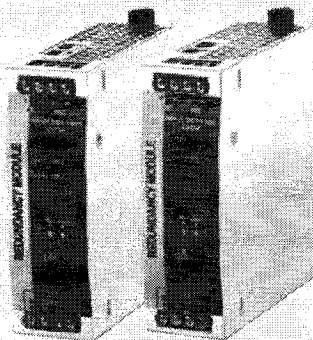
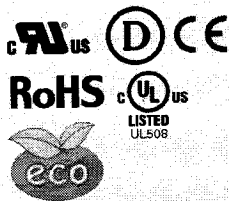


DIN Rail Type  
**KRE20 / -40A**

Ordering information  
**KRE**    
① ②



① Series name  
KRE : Euro style I/O terminals  
② Output current

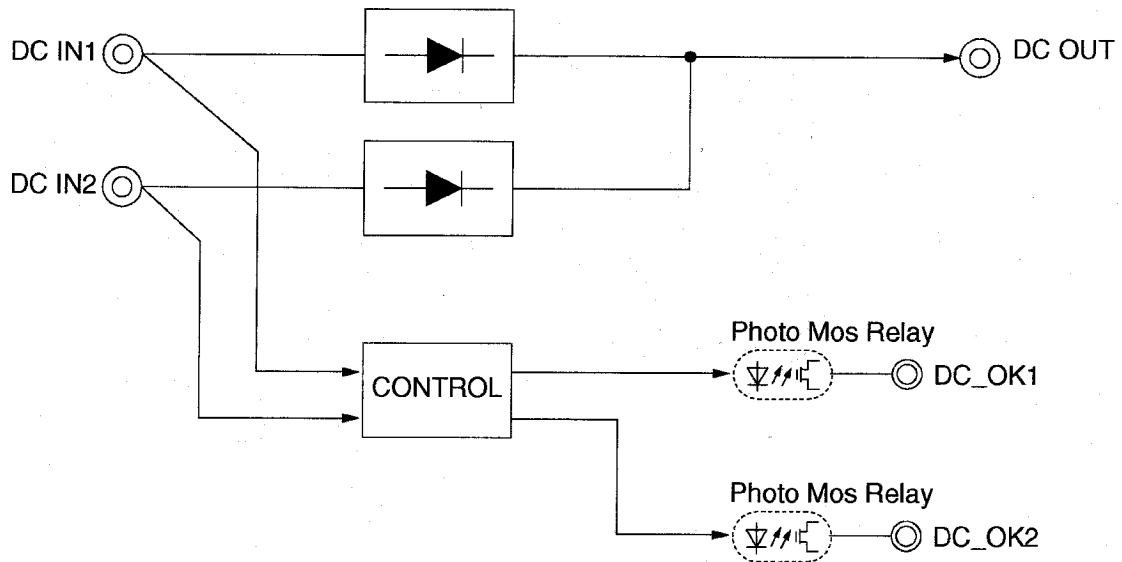
MODEL	KRE20	KRE40
DC OUTPUT CURRENT	20	40
DC PEAK OUTPUT CURRENT	30	60

**SPECIFICATIONS**

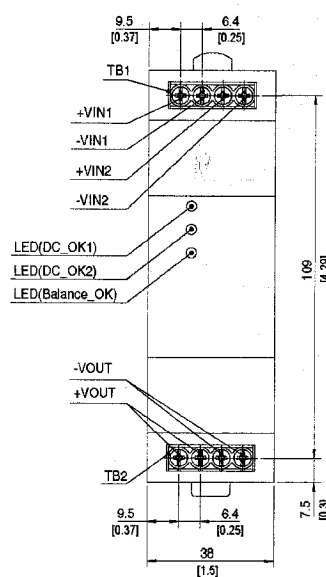
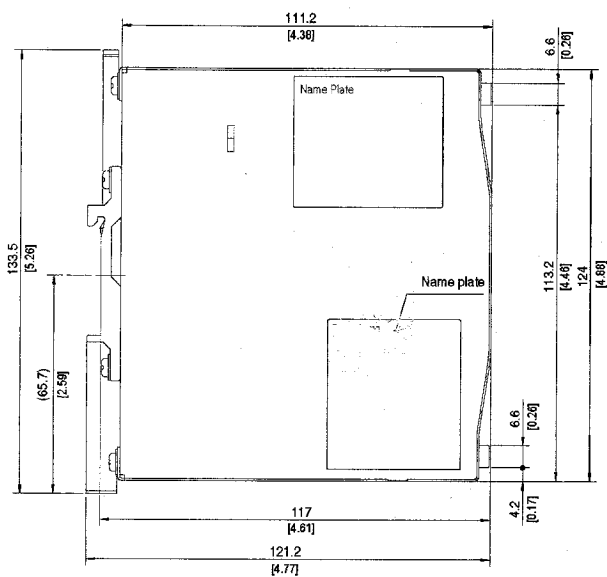
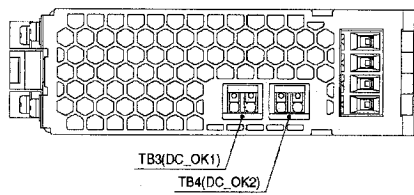
	MODEL	KRE20	KRE40
INPUT	VOLTAGE[V]	DC10 ~ 60	DC10 ~ 30
	CURRENT[A]	10 (×2 Input)	20 (×2 Input)
	PEAK CURRENT[A]	15 (×2 Input)	30 (×2 Input)
	INPUT-OUTPUT POTENTIAL DIFFERENCE[V]	0.6typ (Ta=25°C ,Io=100%)	0.4typ (Ta=25°C ,Io=100%)
OUTPUT	CURRENT[A]	20	40
	PEAK CURRENT[A] *1	30	60
FUNCTION	DC OK LAMP	LED (Green)	LED (Green)
	Balance OK LAMP	LED (Green)	LED (Green)
	DC OK CONTACT	Relay contact 30VDC 0.5Amax , 30VAC 0.5Amax (resistive load)	
ISOLATION	INPUT-OUTPUT-Chassis	AC1,000V 1minute, Cutoff current = 100mA, DC500V 50MΩ min (At Room Temperature)	
	INPUT-OUTPUT-DC_OK	AC500V 1minute, Cutoff current = 100mA, DC500V 50MΩ min (At Room Temperature)	
	DC_OK-Chassis	AC500V 1minute, Cutoff current = 100mA, DC500V 50MΩ min (At Room Temperature)	
ENVIRONMENT	OPERATING TEMP,HUMID.AND ALTITUDE	-25 to +70°C (Required to Derating), 20 - 90%RH (Non condensing)	
	STORAGE TEMP,HUMID.AND ALTITUDE	-25 to +85°C, 20 - 90%RH (Non condensing)	
	VIBRATION *2	10 - 55Hz, 19.6m/s <sup>2</sup> (2G), 3minutes period, 60 minutes along Z axis (Non operating, mounted on DIN Rail)	
	IMPACT	196.1m/s <sup>2</sup> (20G), 11ms, once each X, Y and Z axis (Packing state)	
SAFETY	AGENCY APPROVALS	UL60950-1, C-UL (CSA60950-1) , EN60950-1 , UL508	
	CE MARKING	LVD	
OTHERS	CASE SIZE *3	38×124×117mm (W×H×D) [1.5X4.88X4.61 inches]	
	WEIGHT	480g max	610gmax
	COOLING METHOD	Convection / Forced air	

\*1 Refer to 3. instruction manual.  
\*2 Only as standard mounting orientation (A). Refer to the instruction manual 4.1.  
If install other than standard mounting orientation (A), please fix the power supply for withstand the vibration and impact.  
\*3 Case size contains neither the umbro.  
\* To meet the specifications. Do not operate over-loaded condition.

Block diagram



External view



- ※ Tolerance :  $\pm 1.5 [\pm 0.06]$
- ※ Weight : KRE20 480g max  
KRE40 610g max
- ※ PCB Material/thickness : FR-4 / 1.6mm [0.06]
- ※ Chassis material : Aluminum
- ※ Case material : Stainless steel
- ※ DIN rail attachment material : Aluminum, Nylon
- ※ Dimensions in mm, [ ] = inches
- ※ Screw tightening torque : 1N · m max