



EPS - Datasheet

Series EPS/PUL 10000 4U

EPS's Electronic Power Supplies »EPS/PUL 10000 4U« series new electronic high performance ATE loads are adjustable DC-loads in order to load relevant voltage and current sources of any type. Available are the 19" enclosure with 4 height units (U) with DC output voltages between 0-60V (SELV) and 0-2000V, output currents between 0-40A and 0-1000A with an output power of 30kW-1920kW.

The energy recovery function converts the supplied DC energy into a synchronous sine current and feeds it back into the 208V/380V/400V/480V mains. Here an efficiency of up to 96,5% will be reached. In common system, the energy from burn-in tests and battery capacity tests is radiated into the environment. This energy can be recovered with this unit.

The devices in series EPS/PUL 10000 4U represent matching models to series EPS/ELR 10000 4U. They serve as extension modules, so called power units, which are intended to build master-slave systems with higher total power. Devices from series EPS/ELR 10000 or E/PS 10000, which both have a TFT touch display, can serve as master unit, but all EPS/PUL 10000 4U can also serve as master for other 10000 series power supplies should the control be solely remote.

For remote control using a PC or PLC the devices are provided as standard with an Ethernet, USB-B slot on the rear side as well as a galvanically isolated analog interface. Via optional plug-in interface modules, other digital interfaces such as RS232, Profibus, ProfiNet, ModBus TCP, CAN, CANopen or EtherCAT can be added. These enable the devices to be connected to standard industrial buses simply by changing or adding a small module. The configuration, if necessary at all, is simple.

Further options are a grid and system protection, a water cooling system, preconfigured cabinet systems, extended warranty and calibration with protocol.

The devices are CE, UL as well as CSA certified.

Energy efficiency: Regeneration, high efficiency, temperature controlled fans, water cooling system

Scope of delivery:

Power Supply Unit

Test report

AC connector plug (clamp type)

Set for AC cable strain relief

Set DC terminal cover

2x Plug for Remote Sense

Terminal cover sense

USB cable 1,8m

USB-Stick with documentation and Software

EPS/PUL 10080-1000 4U Electronic Load with mains backfeed



EPS/PUL_10000_4U_front

General data

Behavior	Unidirectional
Technology	Switching
Operation modes	CC.CV.CP.CR
Mains	342-528 V AC, 3ph, 208V +/-10% derat.18kW
Input frequency	45-66Hz
Input Current Limitation	Standard
Power feed back	Standard
Voltage Stability Load	<=0,02% fs
Voltage Stability Mains	<0,01% fs
Response time Voltage	<0,05% fs (0-100%)
Rise time Voltage	max.10 ms (10-90%)
Current Stability Load	<=0,2% fs
Current Stability Mains	<0,01% fs
Rise time Current	max.2ms (10-90%)
Response time Current	<=0,1% fs (0-100%)
Internal Resistance Regulation	Standard
Overheat protection	Standard
Isolation In-/Output	3750 Vrms
Isolation Output/Enclosure	neg.+600VDC, Pos.+600VDC max.
Parallel operation	Standard
Current sharing	Standard (M/S)
Cooling	Fan, Option WC
Operation temperature	0-50°C
Storage temperature	-20...70°C
Humidity	<80% n.c

Series EPS/PUL 10000 4U

Attitude	2000m /NN
Design	19 inch
Standards	EN/UL/CSA-C22.2 61010-1,EN55011 cl.B,EN61326-1
Power fail	Standard
Alarmmanagement	Standard
Capacity	25380µF

Interfaces

Analog Isolation	Standard (intern)
Accuracy Interface	0-10V <= 0.2%; 0-5V <=0.4%
Remote Control	U / I / P
Input Signal	Intern/extern,Input on/off,R mode
USB Interface	Standard
RS232 Interface	Option EPS/IF-AB R
CAN Interface	Opt.EPS/IF-AB-Co/CAN
Profibus	Option EPS/IF-AB-PB
Ethernet Interface	Standard, Opt.IF-ETH1P/2P
Ethercat Interface	Option EPS/IF-AB-ECT
Software	Standard EPS/PC, Option EPS/MC

Technical data

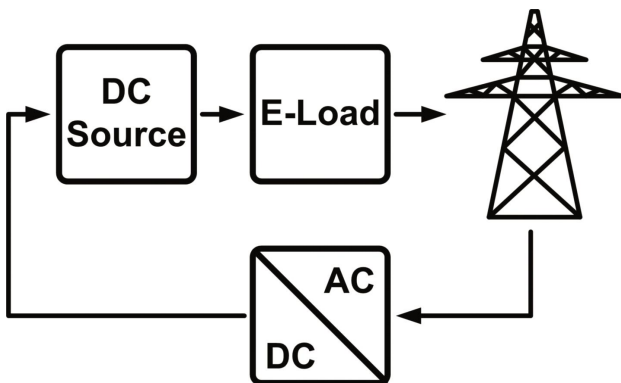
Input Power	0-30000W
Input Voltage	0-80 VDC
Input Current	0-1000 A
Efficiency	<=95,5%
Ripple U	320 mVpp(20Mhz)/25 mVrms(300k)
Resistance Adjustment Range 1	0,003-5 Ohm
Remote Sensing	Standard
Dimensions in mm (WxHxD)	483 x 177 x 668
Weight	50 kg
Order code	300400

Options

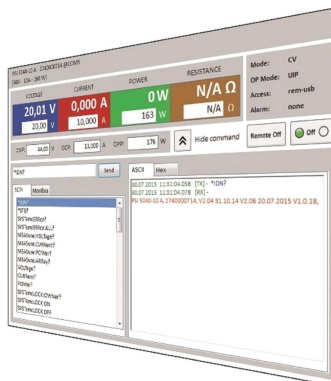
Option 1	E115035 Grid and System protection
Option 2	Extended Warranty 2 / 3 / 5 years EPS/G2/3/5
Option 3	Watercooling EPS/WC-30 kW
Option 4	Calibration with protocol
Option 5	EPS/BNC Cable Share-Bus connection cable
Option 6	EPS/SL 4x 2x AWG Master-Slave patch cable



EPS/PUx 10000_4U rear

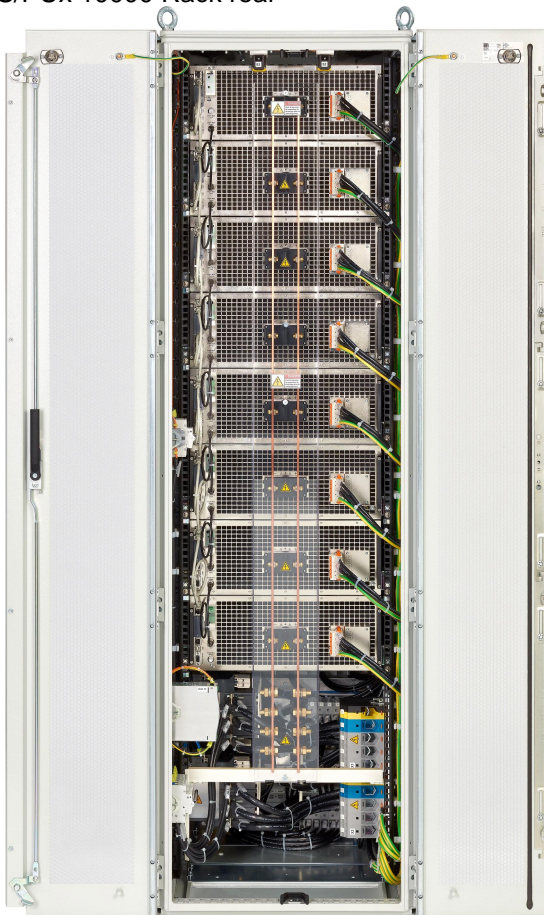


EPS/graphics_backfeed



EPS/PC_Software

EPS/PUx 10000 Rack rear



Subject to modification without notice, errors and omissions excepted

EPS Stromversorgung GmbH
Electronic Power Supplies
Alter Postweg 101, 86159 Augsburg/Germany
Tel.: +49 (0) 821 570451-0
E-mail: sales@eps-germany.de
www.eps-germany.de